

Hemisphere Downlight Gen3



Hemisphere Downlight Gen3 adopts innovation anti-glare reflector design, to provide customer with better visual comfort. It's available in different power and size options, to meet different lighting requirements in both new installation and retro-fit projects.

Applications

- Retail/Mall
- Offices
- Hotels



Any update of data in this leaflet will not be informed.
Please contact GE Lighting for detailed information.

GE Lighting Co.Ltd.
7F,Building 1,No.1 Hua Tuo Rd.
Zhang Jiang Hi-Tech Park Pudong,
Shanghai 201203
T:+86 21 3877 1888
F:+86 21 3877 7437
+86 21 3877 7459
www.gelighting.com
Printing Code: L-LEDI-17-EN-2014Q3



imagination at work

Specification Features

Excellent Lighting

- Optimized shielding angle control to reduce glare
- Color rendering index: ≥ 80
- Three kinds of color temperature for a variety of environment request
- No ultraviolet ray and infrared ray, Eco-friendly
- Ripple $\leq 6\%$, flicker free, to protect eyes.

Unique Material / Structure

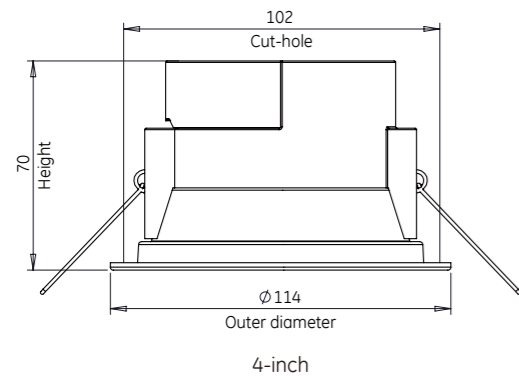
- Two different reflector material to suit different application need
- High-Strength aluminum ring and heatsink to ensure good heat dissipation and high reliability
- The unique structure design makes the connection more easily for 0.5-2.5mm² single strand solid wire and stranded wire
- Spring clip can be used with ceilings of different thickness and material

Energy-saving and Long Lifetime

- System efficacy up to 100lm/W, to save 75% energy compared with CFL fixtures
- Rated lifetime up to 50,000 hours, to lower maintenance cost



Dimensions



Size	Outer diameter (mm)	Height (mm)	Cut-hole (mm)	Weight (g)
4-inch	114	70	$\phi 100 \pm 2$ mm	135
6-inch	173	84	$\phi 144 \pm 4$ mm	275
8-inch	221	103	$\phi 199 \pm 4$ mm	505

Product Specifications

Product Code	Description	Power (W)	CCT(K)	Lumens	Voltage	Power Factors (PF)	Ripple	CRI	Warranty	Life Time
82230E	DM4L1SM30 G3	7	3000	700	100-277V	0.9	$\leq 6\%$	80	3 years	50,000hrs
82232E	DM4L1SP30 G3	7	3000	700	100-277V	0.9	$\leq 6\%$	80	3 years	50,000hrs
82234E	DM4L1SM40 G3	7	4000	700	100-277V	0.9	$\leq 6\%$	80	3 years	50,000hrs
82236E	DM4L1SP40 G3	7	4000	700	100-277V	0.9	$\leq 6\%$	80	3 years	50,000hrs
82238E	DM4L1SM65 G3	7	6500	700	100-277V	0.9	$\leq 6\%$	80	3 years	50,000hrs
82239E	DM4L1SP65 G3	7	6500	700	100-277V	0.9	$\leq 6\%$	80	3 years	50,000hrs
82243E	DM6L1SM30 G3	9	3000	900	100-277V	0.9	$\leq 6\%$	80	3 years	50,000hrs
82244E	DM6L1SP30 G3	9	3000	900	100-277V	0.9	$\leq 6\%$	80	3 years	50,000hrs
82245E	DM6L1SM40 G3	9	4000	900	100-277V	0.9	$\leq 6\%$	80	3 years	50,000hrs
82247E	DM6L1SP40 G3	9	4000	900	100-277V	0.9	$\leq 6\%$	80	3 years	50,000hrs
82248E	DM6L1SM65 G3	9	6500	900	100-277V	0.9	$\leq 6\%$	80	3 years	50,000hrs
82249E	DM6L1SP65 G3	9	6500	900	100-277V	0.9	$\leq 6\%$	80	3 years	50,000hrs
82250E	DM6L2SM30 G3	11	3000	1100	100-277V	0.9	$\leq 6\%$	80	3 years	50,000hrs
82251E	DM6L2SP30 G3	11	3000	1100	100-277V	0.9	$\leq 6\%$	80	3 years	50,000hrs
82253E	DM6L2SM40 G3	11	4000	1100	100-277V	0.9	$\leq 6\%$	80	3 years	50,000hrs
82254E	DM6L2SP40 G3	11	4000	1100	100-277V	0.9	$\leq 6\%$	80	3 years	50,000hrs
82255E	DM6L2SM65 G3	11	6500	1100	100-277V	0.9	$\leq 6\%$	80	3 years	50,000hrs
82265E	DM6L2SP65 G3	11	6500	1100	100-277V	0.9	$\leq 6\%$	80	3 years	50,000hrs
82266E	DM6L3SM30 G3	13	3000	1300	100-277V	0.9	$\leq 6\%$	80	3 years	50,000hrs
82267E	DM6L3SP30 G3	13	3000	1300	100-277V	0.9	$\leq 6\%$	80	3 years	50,000hrs
82273E	DM6L3SM40 G3	13	4000	1300	100-277V	0.9	$\leq 6\%$	80	3 years	50,000hrs
82276E	DM6L3SP40 G3	13	4000	1300	100-277V	0.9	$\leq 6\%$	80	3 years	50,000hrs
82279E	DM6L3SM65 G3	13	6500	1300	100-277V	0.9	$\leq 6\%$	80	3 years	50,000hrs
82280E	DM6L3SP65 G3	13	6500	1300	100-277V	0.9	$\leq 6\%$	80	3 years	50,000hrs
82281E	DM6L4SM30 G3	16	3000	1600	100-277V	0.9	$\leq 6\%$	80	3 years	50,000hrs
82283E	DM6L4SP30 G3	16	3000	1600	100-277V	0.9	$\leq 6\%$	80	3 years	50,000hrs
82284E	DM6L4SM40 G3	16	4000	1600	100-277V	0.9	$\leq 6\%$	80	3 years	50,000hrs
82285E	DM6L4SP40 G3	16	4000	1600	100-277V	0.9	$\leq 6\%$	80	3 years	50,000hrs
82287E	DM6L4SM65 G3	16	6500	1600	100-277V	0.9	$\leq 6\%$	80	3 years	50,000hrs
82290E	DM6L4SP65 G3	16	6500	1600	100-277V	0.9	$\leq 6\%$	80	3 years	50,000hrs
82292E	DM8L1SM30 G3	16	3000	1600	100-277V	0.9	$\leq 6\%$	80	3 years	50,000hrs
82293E	DM8L1SP30 G3	16	3000	1600	100-277V	0.9	$\leq 6\%$	80	3 years	50,000hrs
82294E	DM8L1SM40 G3	16	4000	1600	100-277V	0.9	$\leq 6\%$	80	3 years	50,000hrs
82296E	DM8L1SP40 G3	16	4000	1600	100-277V	0.9	$\leq 6\%$	80	3 years	50,000hrs
82297E	DM8L1SM65 G3	16	6500	1600	100-277V	0.9	$\leq 6\%$	80	3 years	50,000hrs
82303E	DM8L1SP65 G3	16	6500	1600	100-277V	0.9	$\leq 6\%$	80	3 years	50,000hrs
82304E	DM8L2SM30 G3	22	3000	2200	100-277V	0.9	$\leq 6\%$	80	3 years	50,000hrs
82305E	DM8L2SP30 G3	22	3000	2200	100-277V	0.9	$\leq 6\%$	80	3 years	50,000hrs
82306E	DM8L2SM40 G3	22	4000	2200	100-277V	0.9	$\leq 6\%$	80	3 years	50,000hrs
82311E	DM8L2SP40 G3	22	4000	2200	100-277V	0.9	$\leq 6\%$	80	3 years	50,000hrs
82312E	DM8L2SM65 G3	22	6500	2200	100-277V	0.9	$\leq 6\%$	80	3 years	50,000hrs
82316E	DM8L2SP65 G3	22	6500	2200	100-277V	0.9	$\leq 6\%$	80	3 years	50,000hrs
82321E	DM8L3SM30 G3	27	3000	2700	100-277V	0.9	$\leq 6\%$	80	3 years	50,000hrs
82325E	DM8L3SP30 G3	27	3000	2700	100-277V	0.9	$\leq 6\%$	80	3 years	50,000hrs
82326E	DM8L3SM40 G3	27	4000	2700	100-277V	0.9	$\leq 6\%$	80	3 years	50,000hrs
82327E	DM8L3SP40 G3	27	4000	2700	100-277V	0.9	$\leq 6\%$	80	3 years	50,000hrs
82331E	DM8L3SM65 G3	27	6500	2700	100-277V	0.9	$\leq 6\%$	80	3 years	50,000hrs
82334E	DM8L3SP65 G3	27	6500	2700	100-277V	0.9	$\leq 6\%$	80	3 years	50,000hrs

Ordering Information

LED Downlight Hemisphere

DM	6L1	S	M	40K	G3
Product ID	Size - Power	Trim	Reflector Surface Treatment	Color Temperature	Generation
D = Downlight M = Modified Hemisphere	4 = 4inch 4L1 = 7W 6 = 6inch 6L1 = 9W 6L2 = 11W 6L3 = 13W 6L4 = 16W 8 = 8inch 8L1 = 16W 8L2 = 22W 8L3 = 27W	S = standard white painting	M = Metal Coating P = White Painting	30K = 3000K 40K = 4000K 65K = 6500K	G3 = Generation 3